

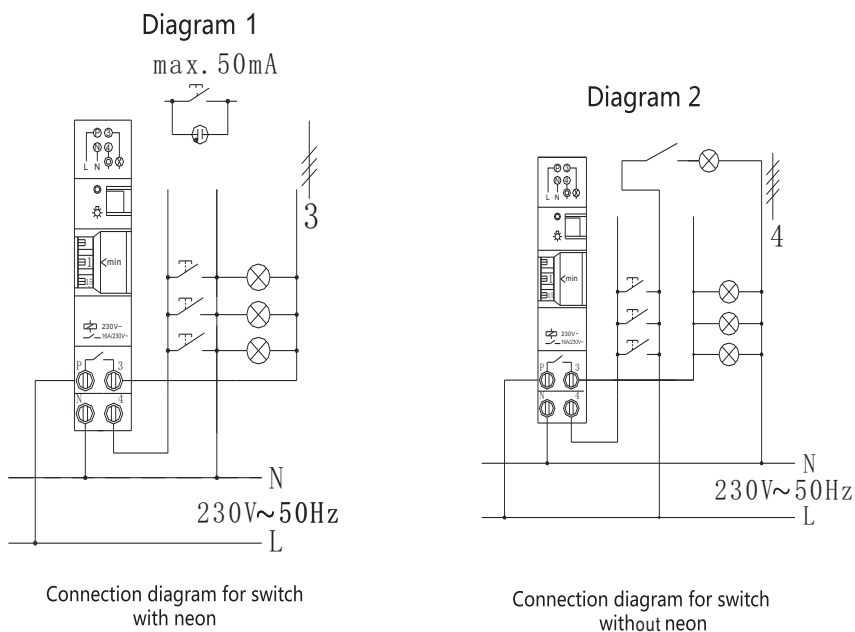
## Specifications

Rated current	230V~ 50Hz
Ohmic load	16A, Maximum 3680W
Inductive load	230V~, 4A /cos $\Phi$ 0.4
Countdown period	1 minute to 7 minutes
Accuracy	0 to 1 minute : $\pm 10$ seconds 0 to 7 minutes: $\pm 18$ seconds
IP Rating	IP20
Working temperature	-10°C to 55°C

## Description

- This timeswitch is for application in an electrical switch box to turn off a particular circuit with a countdown period from 1 minute to 7 minutes. It can also work as a normal on/off switch.
- The countdown time switch allows connection with many switches (both with or without neon switch) in different locations for more convenience control.

## Wiring Diagrams



## Mounting and Connecting

- Designed for easy installation in the electrical switch box, simply hook the timer onto the railing and press until you hear "click". To remove, pull down the catch located at the bottom of the timer to release.
- The timeswitch allows connection with switch (with or without neon light).
  - Connect the wires as indicated in Diagram 1 for switch with neon and Diagram 2 for switch without neon.
  - Turn the switch to positions, power always on.
  - For countdown functions, turn the time knob to the desired countdown period (from 1 minute to 7 minutes).
  - Then, put the switch to positions, power turns off. The timeswitch is in standby mode for countdown function.
  - Push the neon switch to activate the countdown function, powers turns on. It will be off automatically according to preset time.
  - Total current for the neon should not exceed 50 mA. If a neon carries 1mA current, then, should not connect more than 50 neon switch to the countdown timeswitch.
  - For switch without neon, you can connect as many as necessary in different location for easy controls.
- When timeswitch is in countdown mode, there will be no interface by:
  - Pushing the connected switch (both with or without neon switch)
  - Turning the time knob to different countdown period.